

PINTEK

PL-50pro 50Ω FEED-THROUGH

★★★ High Performance Model ★★★



Model: PL-50pro

★ Best VSWR<1.1(DC~1GHz)

Specification:

Impedance: 50Ω

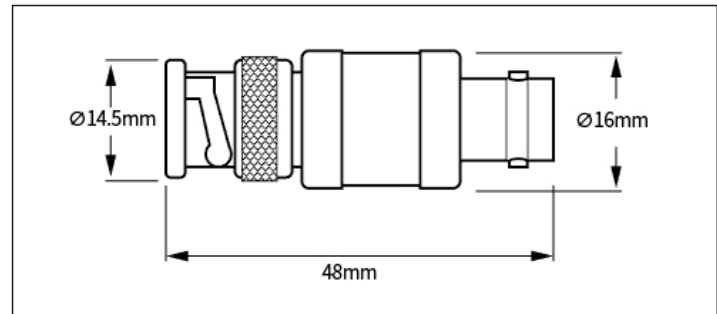
Accuracy: ±1%

Input Voltage: ≤10V DC or 20Vp-p AC

Dimension: 48mm(L) x Ø16mm(D)

VSWR: < 1.05(DC~500MHz)

< 1.1(DC~1GHz)



Application:

Connect to the input BNC of the oscilloscope will give you the best effective to reduce the overshoot and ringing of the input square wave.